



MULTI - FUNCTION

Cal. VX3JE

Movement Size

10 1/2'''

Casing Diameter

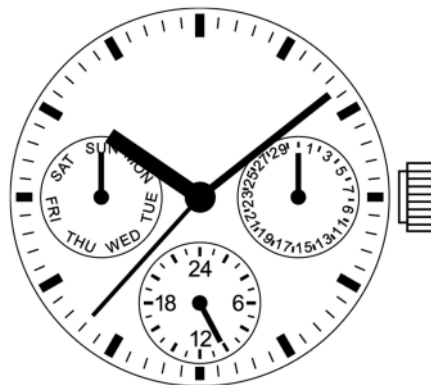
Ø 23.3mm

Height

3.05mm

Battery Life

3 years



S.EPSON PRODUCTS
JAPAN TECHNOLOGY & QUALITY

Date: 27/Aug./'14

Cal. VX3JE

Items	Rev.	Page
Specifications	02	1
Appearance	01	2
Casing	01	3
Hand fitting	01	4
Hand setting stem	01	5
Dial	01	6
Casing ring	01	7
Operation	00	8

**Analog Quartz 10 1/2" Slim Movement / 3 hands (H/M/S) and 3 eyes
with Day / Date / 24 Hour indicators**

1. MOVEMENT DIMENSIONS

Outside diameter	ϕ 24.00mm × 21.50mm(3-9H) × 21.50mm(12-6H)
Casing diameter	ϕ 23.30mm × 21.30mm(3-9H) × 21.50mm(12-6H)
Total height	3.05mm (including battery)

2. TIME STANDARD

Type of quartz oscillator	Tuning fork
Frequency of quartz oscillator	32,768 Hz
Accuracy	±20 seconds per month (on wrist)
Operating temperature range	-5°C to +50°C
Regulation device	Nil (Pre-adjusted)

3. INDICATOR / FUNCTIONS

3 Hands	Hour / Minute / Second						
3 Small hands	Day (9H) / Date (3H) / 24 Hour (6H)						
Reset switch							
Setting mechanism	<table style="width: 100%;"> <tr> <td style="width: 60%;">Crown at normal position</td> <td>: Free</td> </tr> <tr> <td>Crown pulled out 1st click</td> <td>: Instant date change</td> </tr> <tr> <td>Crown pulled out 2nd click</td> <td>: Time setting (Day change) / Reset</td> </tr> </table>	Crown at normal position	: Free	Crown pulled out 1st click	: Instant date change	Crown pulled out 2nd click	: Time setting (Day change) / Reset
Crown at normal position	: Free						
Crown pulled out 1st click	: Instant date change						
Crown pulled out 2nd click	: Time setting (Day change) / Reset						

4. FEATURES

Jewels	0 Jewels						
Anti-magnetism	Over 1600A/m (Direct current magnetic field)						
Maximum unbalance of hands	<table style="width: 100%;"> <tr> <td style="width: 60%;">Second hand</td> <td>: 0.07 μ N·m</td> </tr> <tr> <td>Minute hand</td> <td>: 0.65 μ N·m</td> </tr> <tr> <td>Hour hand</td> <td>: 0.5 μ N·m</td> </tr> </table>	Second hand	: 0.07 μ N·m	Minute hand	: 0.65 μ N·m	Hour hand	: 0.5 μ N·m
Second hand	: 0.07 μ N·m						
Minute hand	: 0.65 μ N·m						
Hour hand	: 0.5 μ N·m						

5. BATTERY

Type / Size	Silver oxide battery / ϕ 9.5mm × t 2.0mm
Recommended battery	SR920SW (Maxell, Sony, Seizaiken)
Nominal voltage	1.55 V
Battery life	Approx. 3 years
Driving current consumption	Approx. 1.6 μ A
Operation stopping voltage	1.1 V

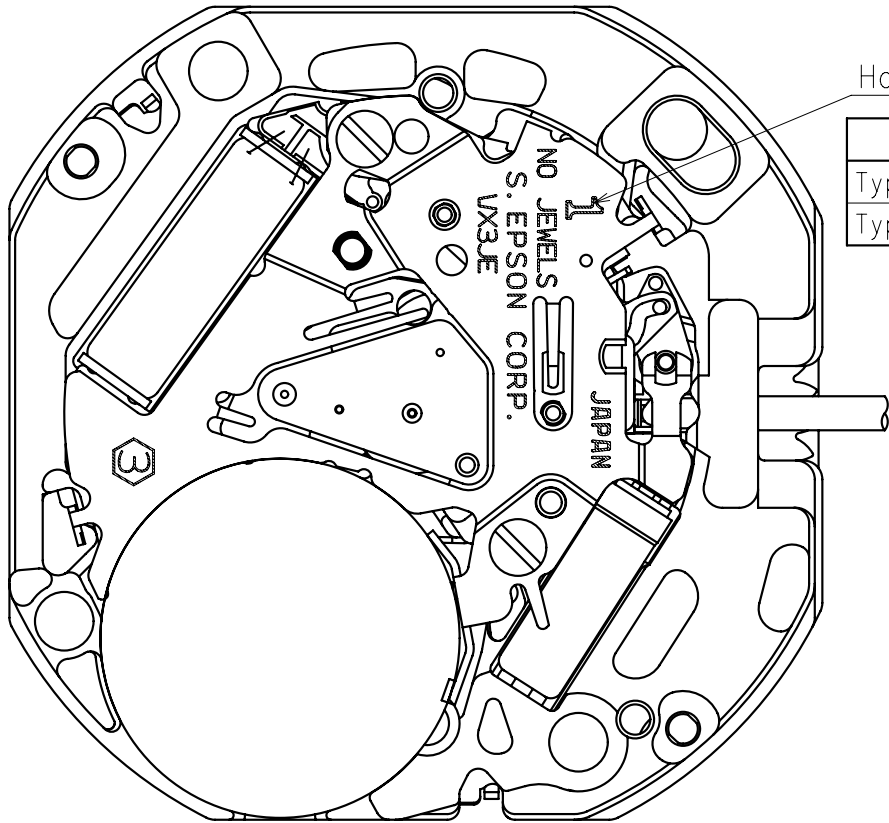
6. SEPARATED PARTS (Parts code)

Hand setting stem	0351177 or 0351578
Battery	SR920SW

7. TEST OF ACCURACY

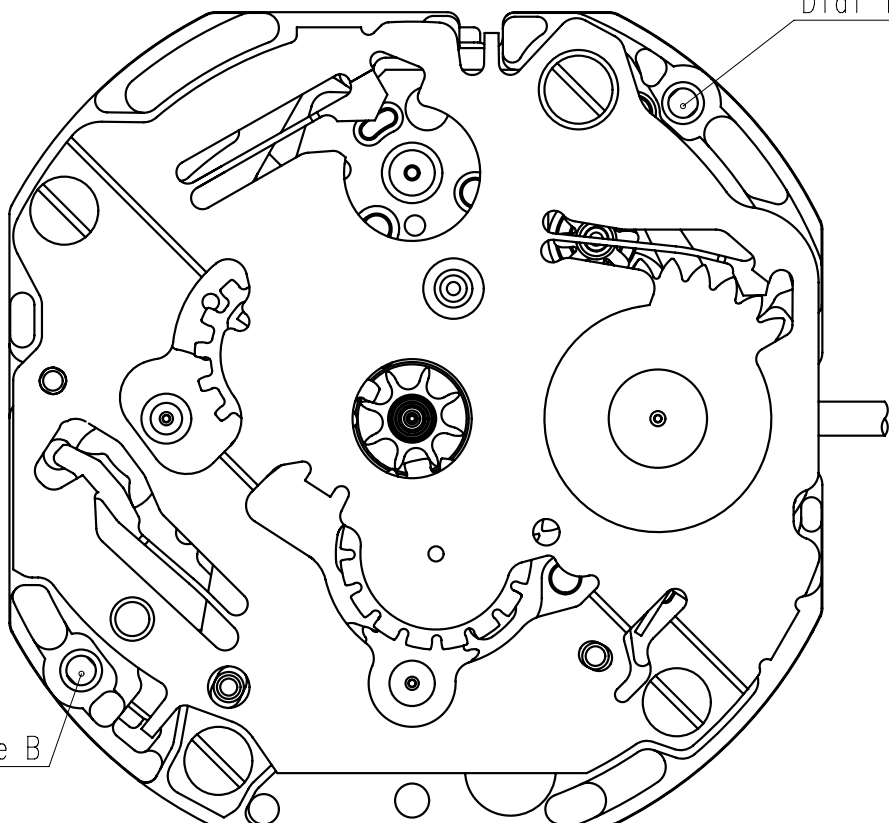
Equipment to be used	SEIKO quartz tester QT-99, Greiner quartz timer-C , Witschi Q-tester 4000
Duration of measurement	10 seconds
Microphone to be used	Electromagnetic detection type

All specifications are subject to change without notice.



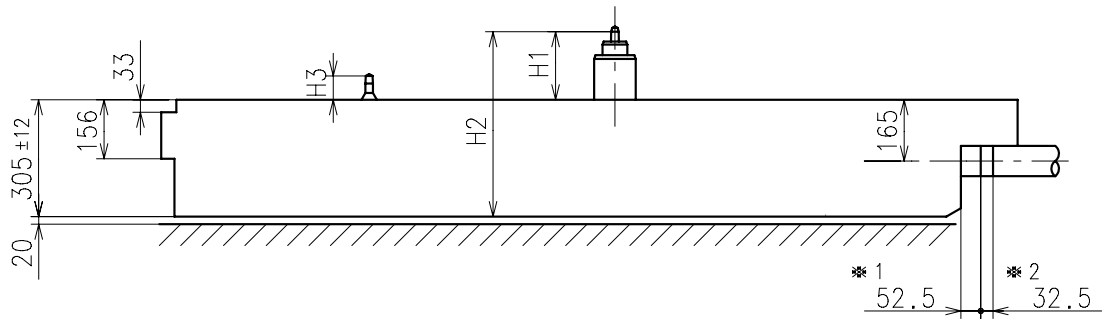
Hands type

	Mark
Type S (1)	1
Type L (3)	3



Dial leg hole A

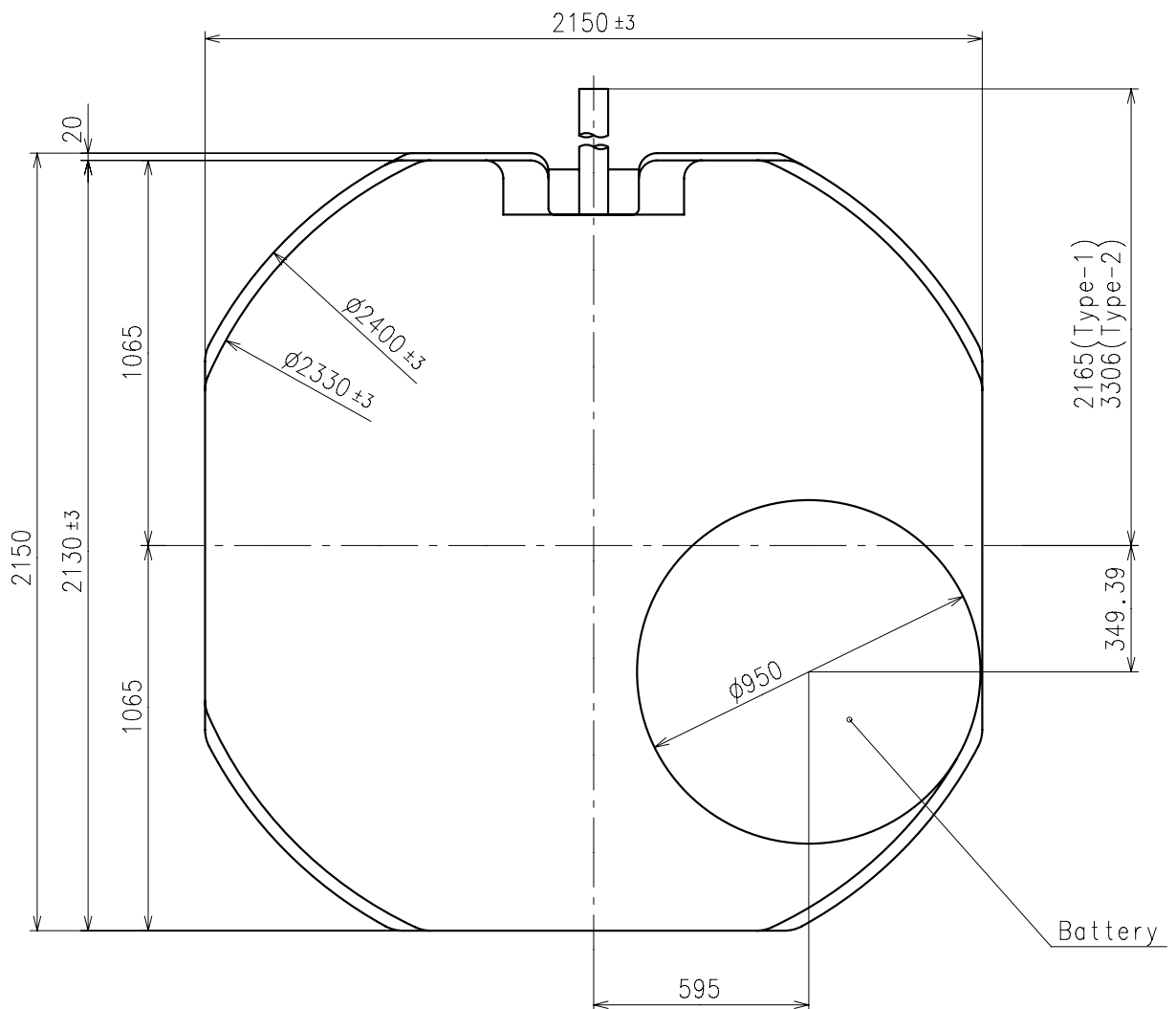
Dial leg hole B



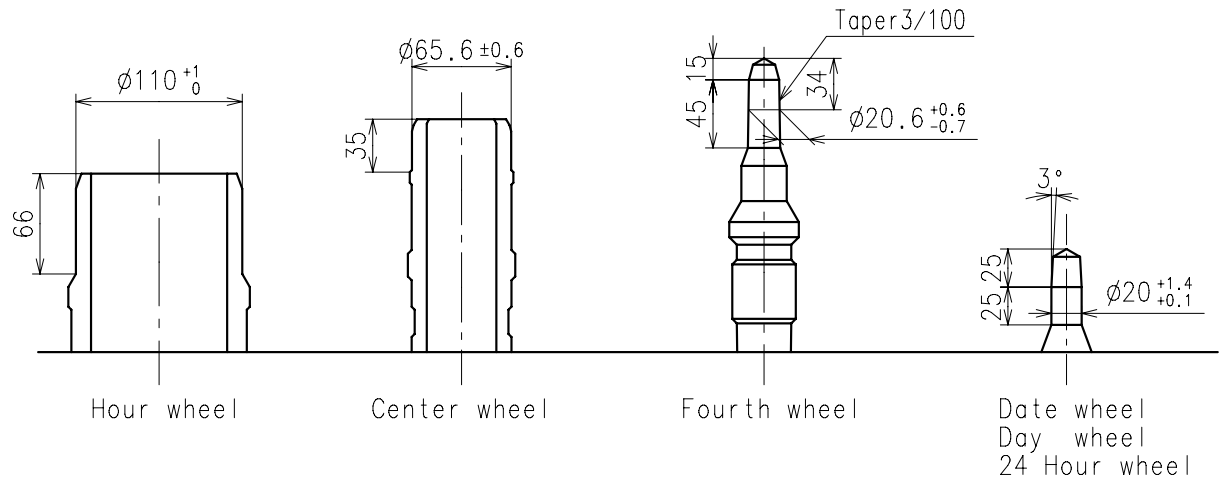
Center post		Type S (1) VX3JE1	Type L (3) VX3JE2
Maximum height from dial support	H1	180	242
Total height including movement	H2	485	547
Maximum height from dial support	H3	63	111

*1:First pullout stroke

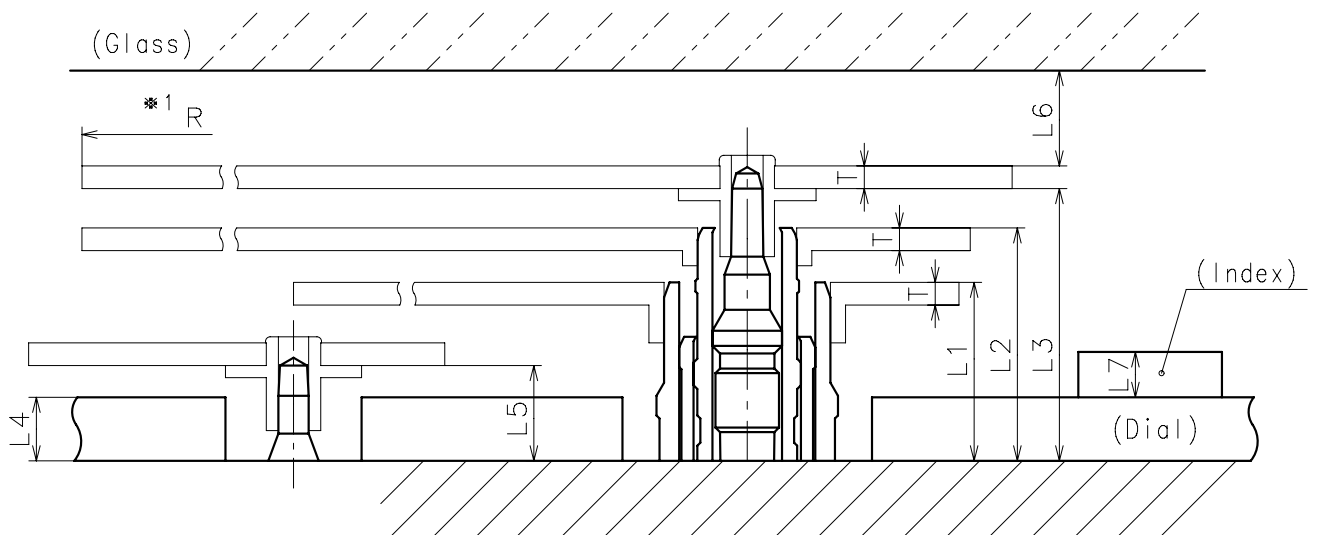
*2:Second pullout stroke



- ※ Hour hand unbalance $\leq 0.5\mu\text{ N}\cdot\text{m}$ ($50\mu\text{ g}\cdot\text{m}$)
- ※ Minute hand unbalance $\leq 0.65\mu\text{ N}\cdot\text{m}$ ($65\mu\text{ g}\cdot\text{m}$)
- ※ Second hand unbalance $\leq 0.07\mu\text{ N}\cdot\text{m}$ ($7\mu\text{ g}\cdot\text{m}$)

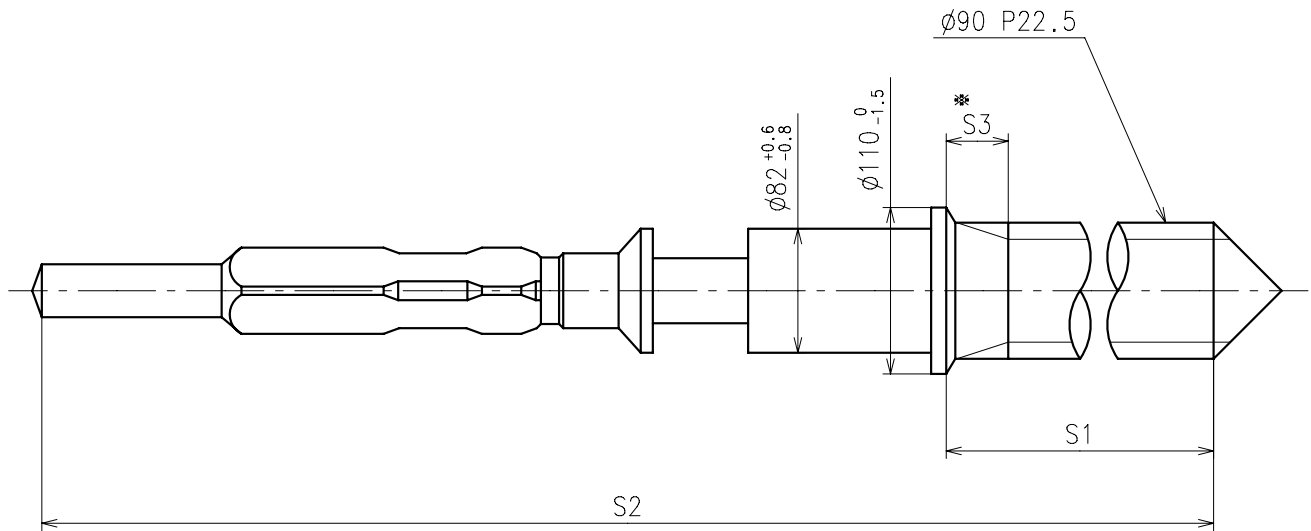


	Parts No.					
	Hour wheel	Center wheel	Fourth wheel	Date wheel	Day wheel	24 Hour wheel
Type S (1) VX3JE1	0271563	0221575	0241528	0970538	1002546	0157543
Type L (3) VX3JE2	0271949	0221588	0241559	0970502	1002547	0157544



	L1	L2	L3	L4	L5	L6	L7	T	*1 R
Type S (1) VX3JE1	118	154	180	40	63	MIN: 50	MAX: 30	15	MAX: 1250
Type L (3) VX3JE2	171	214	242	90	111	MIN: 50	MAX: 30	15	MAX: 1250

※1:It is the size taken into consideration for hands attachment.
Please observe some standard value specified in unbalance when using long hands.

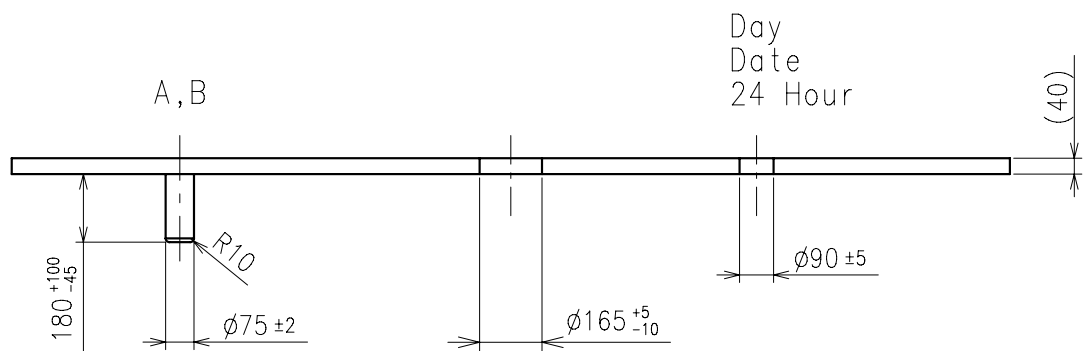
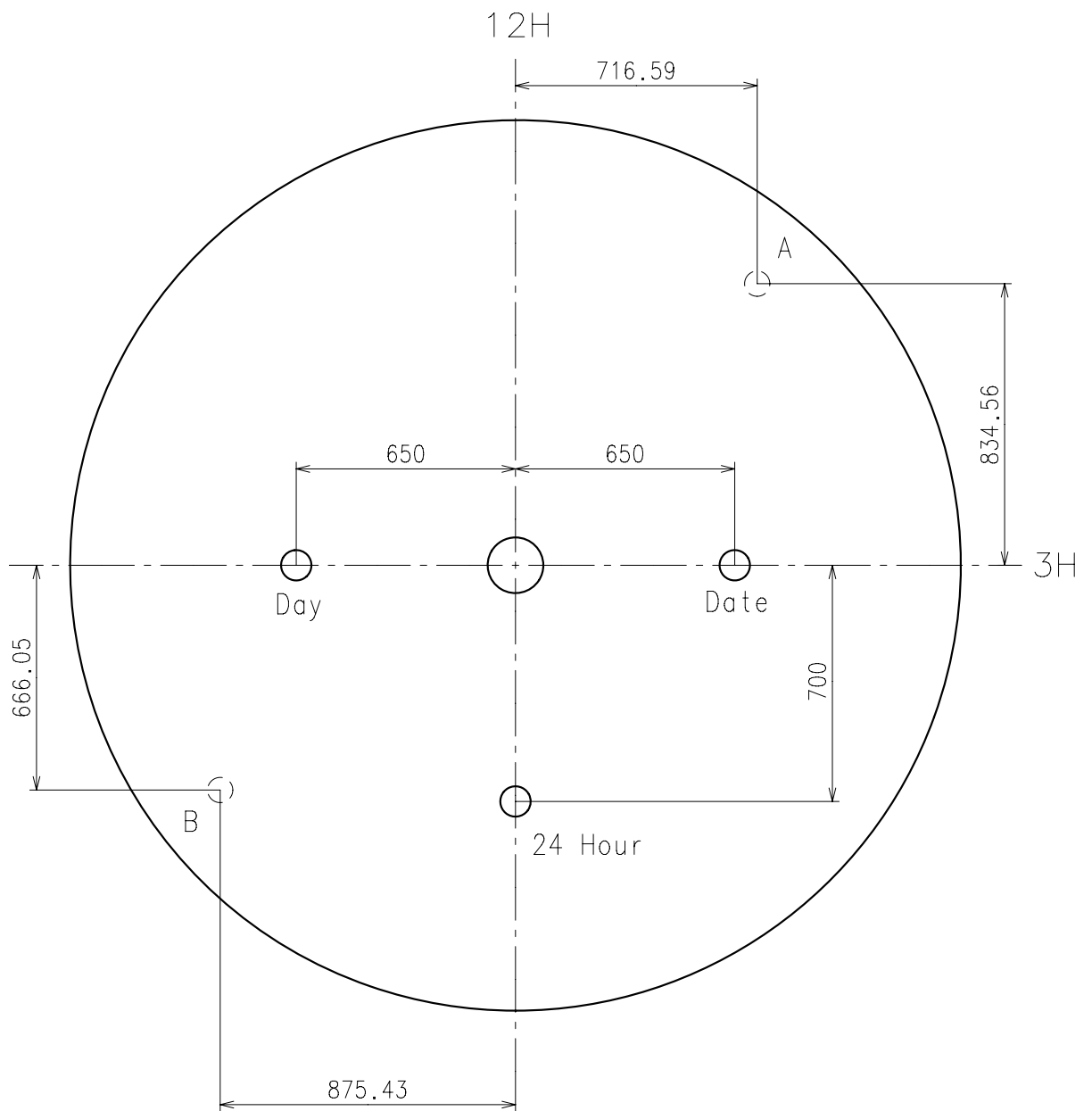


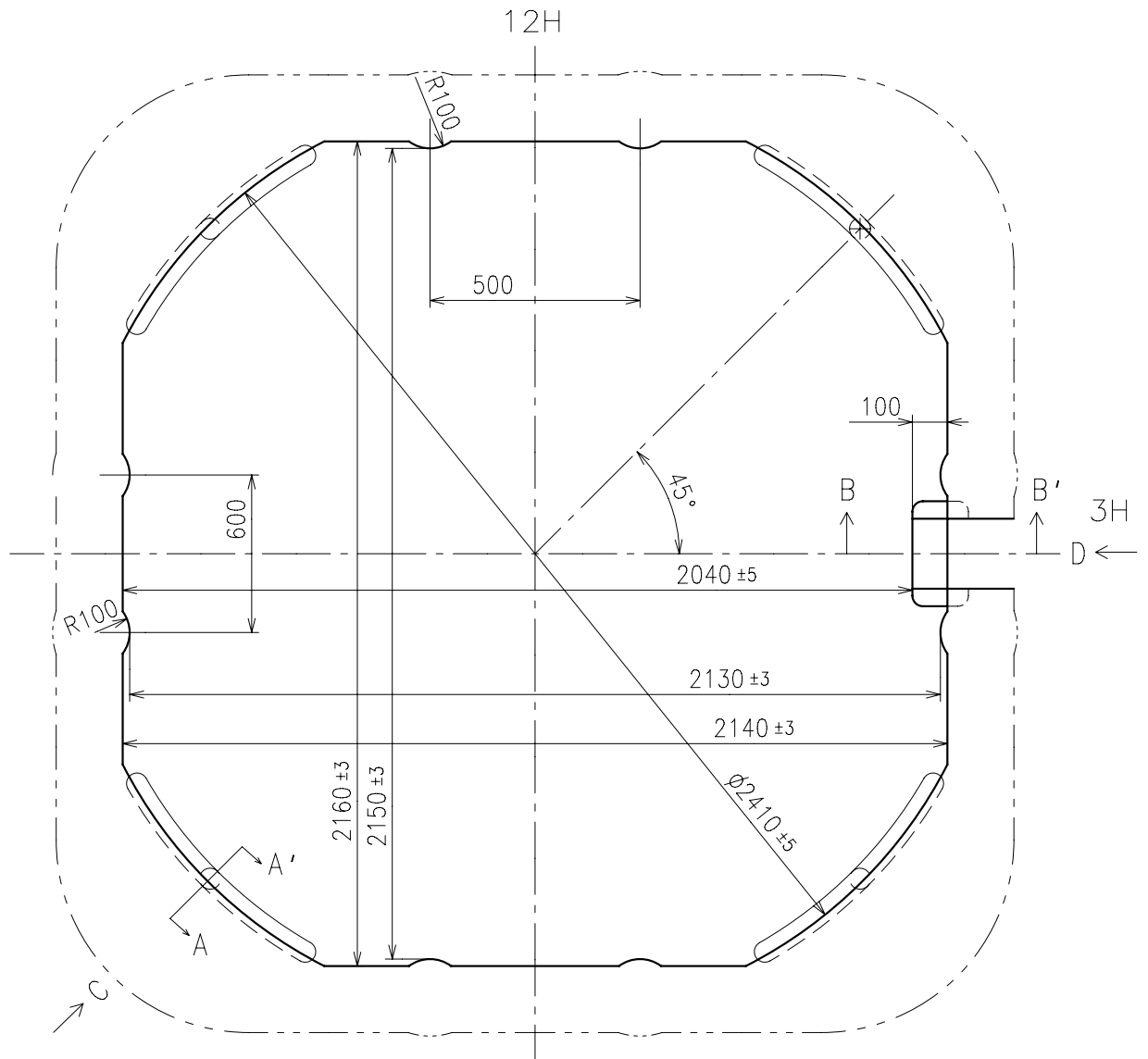
※ Not threaded

	Part No.	S1	S2	※ S3
Type-1 (Standard)	0351177	1366	1964	60
Type-2	0351578	2507	3105	650

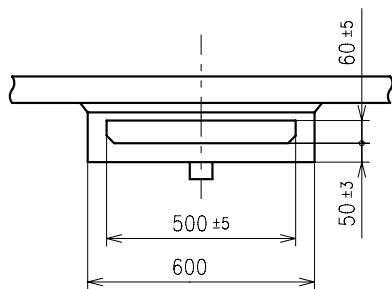
Material : Steel

Hardness : Vickers 600±50

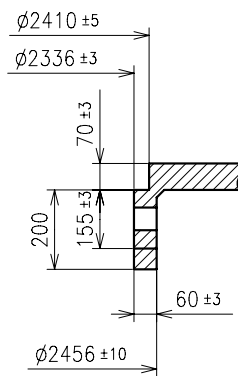




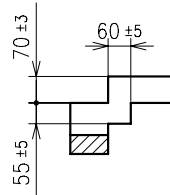
C view



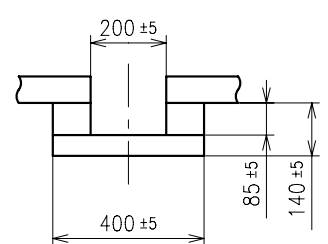
A-A' section

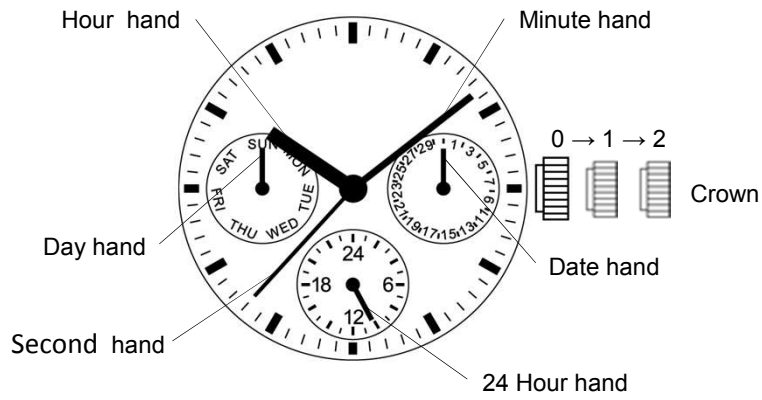


B-B' section



D view





		Crown position		
		0 click	1st click	2nd click
Crown	Free		Turn counterclockwise for date change	Time setting (Day change)